

24watt SPECTRA light driver

Model No. RS-DRIVER

The Redilight Spectra Driver is designed using the highest quality components ensuring reliability, efficiency and an overall superior performance. It converts unregulated power from a 24v solar panel to a regulated constant current supply for safe and reliable use with Redilight luminaires.

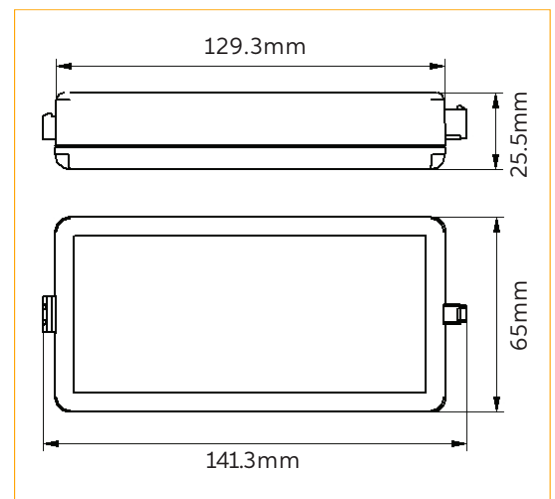
The driver is factory set to drive a 24watt load but may also be configured by the installer to drive 12, 36 or 48w light loads.

Specifications

Type	Constant current regulator
Total Consumption	27-50 watts
Typical Total Input Current @36VDC	390Ma-1.75A
Fuse Type	PTC (Thermal resettable fuse)
Optional Power Settings	12, 24, 36 & 48watt
Ambient Operating Temp	-10~+50°C
Enclosure	ABS plastic
Dimension L x W x H	130 x 65 x 25mm
Certification	AS/NZS CISPR 15:2011
Warranty	5 years
Input Voltage Range	30~40VDC
Max Input Voltage	50VDC



Dimensions



Note:

Each SPECTRA driver is pre-set for a 24watt load which controls a 24watt light fitting or 4 x 6watt light fittings.

If a 12 watt load is required, simply remove the link which is located inside the driver. See instructional video on how to remove this link.



Light fitting output



Solar panel output

